

## Product Dimensions

Part No. HEL-OBHM-12AN



Twin Bulkhead Passthrough Plate  
for -6, -8, -10 & -12 AN Hose Fittings



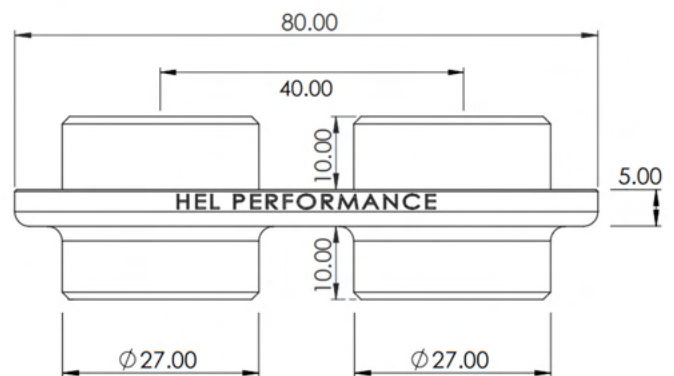
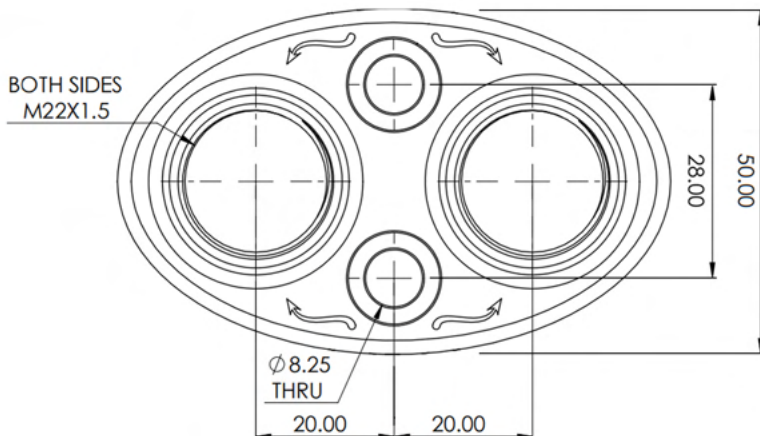
### What's Included

- 1x HEL Twin Bulkhead Passthrough Plate
- 1x Nitrile O-Ring
- 1x Drilling/Mounting Diagram

### Installation & Assembly

- Please relieve fluid **pressure** and allow temperature to **cool** before **removing** any hose, fittings or adapters.
- **Lubricate** seals and **avoid** over-tightening threads.
- Only compatible with M22 x 1.5mm to -6, -8, -10 & -12 AN threaded adapters. Will **not fit** -16 or -20 AN sizes.
- Ensure any **cut** or **drilled** surfaces are free from **sharp edges** and burrs before installation.
- Please contact our technical support team for any further information or **help** with your installation.

\*Dimensions below are shown in **millimeters** (mm)



### ⚠ Please Note

Before operating the vehicle, it is the installer's responsibility to ensure that all components are fully tightened and secure. Failure to do so, could result in oil loss or, in the worst case, engine failure.

### Contact

auto@helperformance.com  
01392 811 601 (Option 2)



auto.helperformance.com

Revision 29/02/24

